

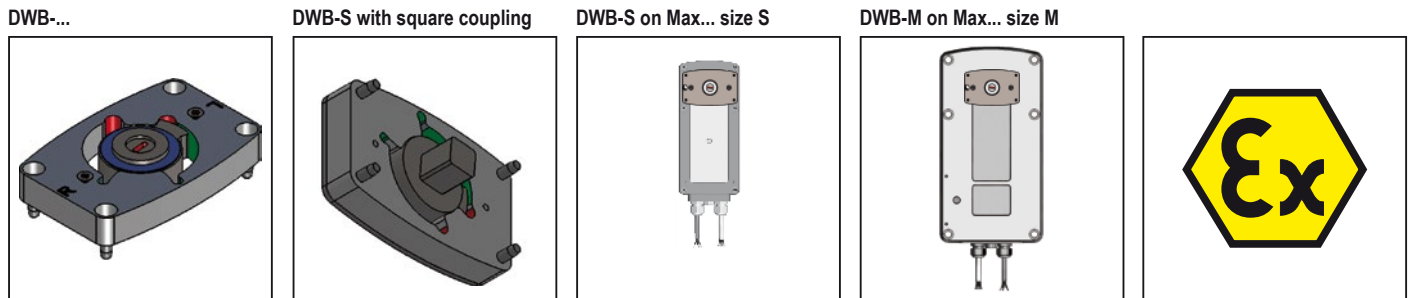
DWB-... Angle rotation limiter

adaptable to ...**Max** actuators size S and M

Subject to change!

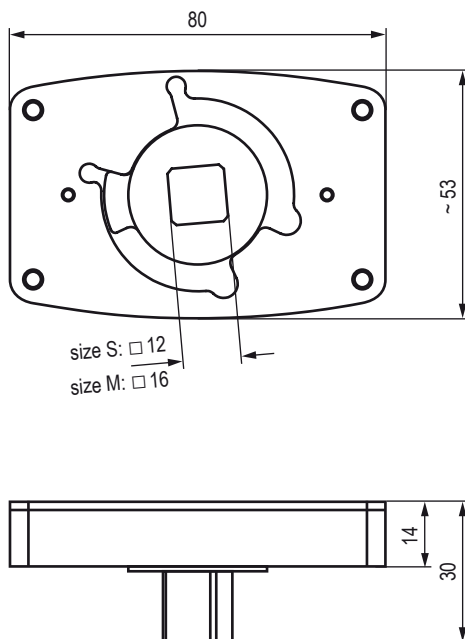
Type	Technical data
DWB-S	Angle rotation limiter to 90° for ...Max... size S
DWB-M	Angle rotation limiter to 90° for ...Max... size M

Product views and applications



Dimensions

Dimensioning in mm

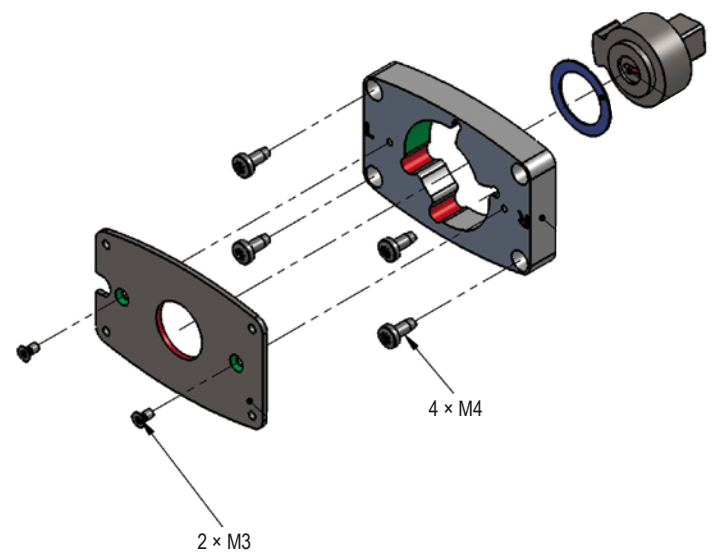


Technical data

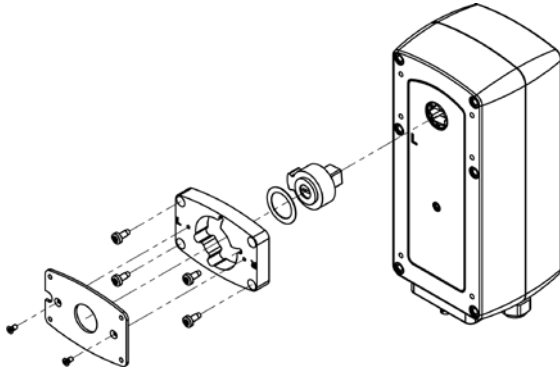
Material	Stainless steel
Screws	M3 × 6 mm, DIN 965 (2 ×)
	DWB-S: M4 × 8 mm, DIN 7500 (4 ×)
	DWB-M: M4 × 10 mm, DIN 912 (4 ×)
Shim ring	20 × 28 × 0,5 mm
Delivery	1 limit plate, 1 cover plate, 1 coupling (S or M), screws, 1 shim ring

Special solution

Angle rotation limiter with inserts for < 90° on request

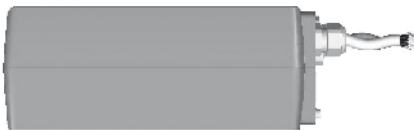


Mounting on ...Max... size S



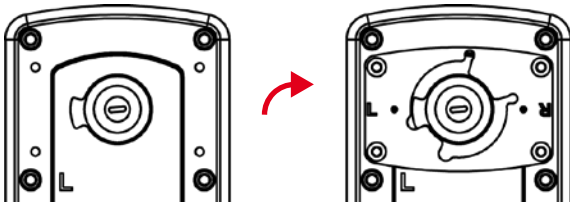
Left-Mounting

Bottom (Side L)



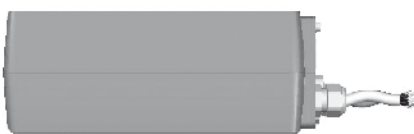
Left-mounting:

1. Place the coupling (square connector) with its tappet to the **left** onto the actuator's drive shaft.
2. Attach the shim ring.
3. Mount limit plate with engraved „L“ visible on the left side.
4. Screw on cover plate with the sidewise cutout to the left.



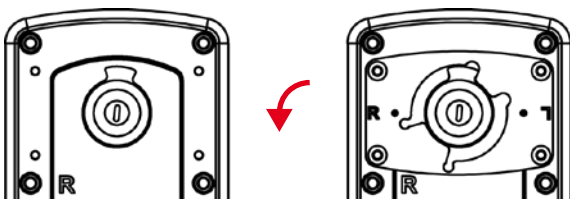
Right-Mounting

Top (Side R)

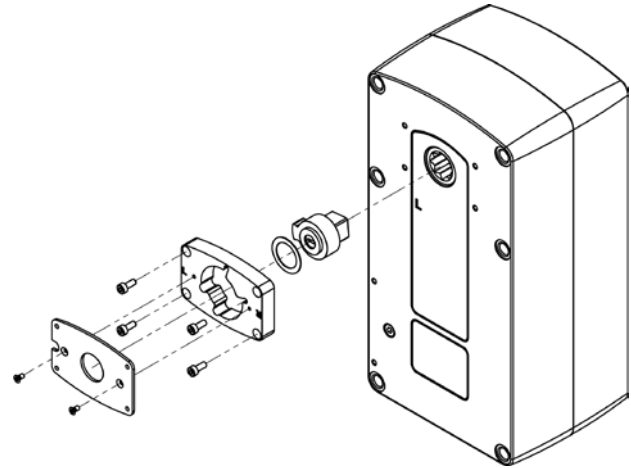


Right-mounting:

1. Place the coupling (square connector) with its tappet facing **upwards** onto the actuator's drive shaft.
2. Attach the shim ring.
3. Mount limit plate with engraved „R“ visible on the left side.
4. Screw on cover plate with the sidewise cutout to the left.



Mounting on ...Max... size M



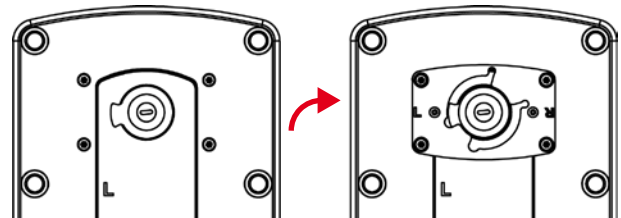
Left-Mounting

Bottom (Side L)



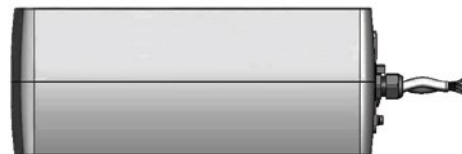
Left-mounting:

1. Place the coupling (square connector) with its tappet to the **left** onto the actuator's drive shaft.
2. Attach the shim ring.
3. Mount limit plate with engraved „L“ visible on the left side.
4. Screw on cover plate with the sidewise cutout to the left.



Right-Mounting

Top (Side R)



Right-mounting:

1. Place the coupling (square connector) with its tappet facing **upwards** onto the actuator's drive shaft.
2. Attach the shim ring.
3. Mount limit plate with engraved „R“ visible on the left side.
4. Screw on cover plate with the sidewise cutout to the left.

